

■ RISHENG
ELECTRIC PORCELAIN



RISHENG ELECTRIC PORCELAIN

日升电瓷

萍乡市日升电瓷有限公司

PINGXIANG RISHENG ELECTRIC PORCELAIN CO., LTD.

Address: The setuary of Shangbu Town, Luxi County,
Pingxiang City, Jiangxi Province, China.

Mobile: +86 13707996031

QQ: 125114980

Tel: +86-799-7518678

Fax: +86-799-7618679

Email: pxrsc@163.com

Http://www.pxrsc.com



萍乡市日升电瓷有限公司

PINGXIANG RISHENG ELECTRIC PORCELAIN CO., LTD.

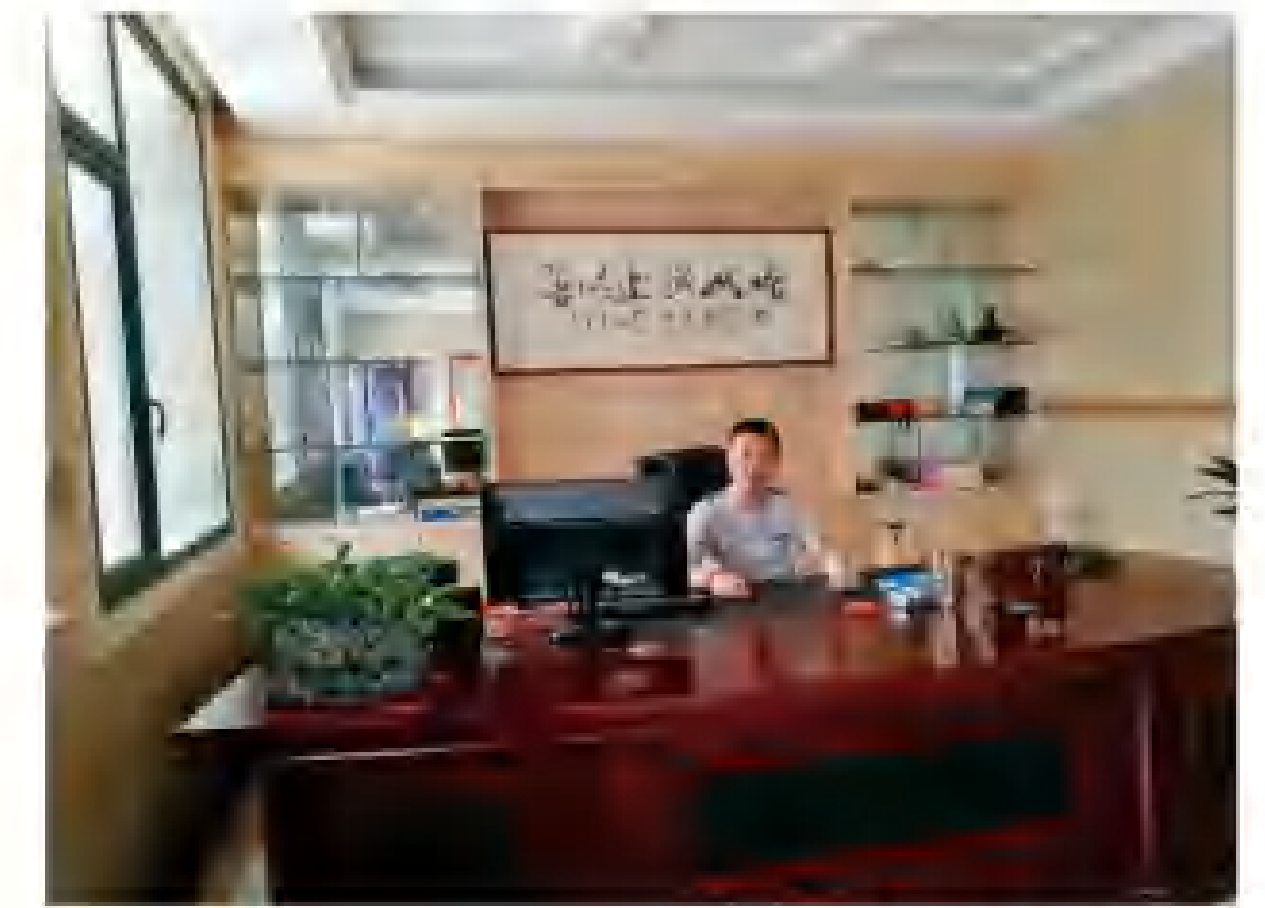
INTEGRITY

诚信

诚信走遍天下 电力连接万家



Brief 企业简介 Introduction



谭红斌 总经理

萍乡市日升电瓷制造有限公司位于江西省萍乡市上埠工业园，占地面积八万平方米，员工500余人，高、中级技术人员50余人，总资产三千多万元。

日升公司专业生产40kV以下的电力变压器瓷套，出口型德标、英标、美标、奥标系列变压器瓷套。72千伏以下的支柱棒型瓷瓶，高低压线路绝缘子、以及各种熔断器瓷瓶、隔离开关瓷瓶等产品为主。产品多达300余种，品种齐全，并可根据客户的图纸或样品设计生产，产品均按国际IEC（国际电工委）、DIN（德标）、BS（英标）、AS（澳标）、ANSI（美标）、GB（国标）等国际标准生产。产品畅销全球，已为国际知名产家代工，如Barberi、Comem、Cedaspe（Made in Italy），ABB（Made in Turkey）等。多年来收到美国、泰国、新加坡、越南、柬埔寨、斯里兰卡、澳大利亚、尼日利亚、印尼、肯尼亚、巴西、南非等国家地区客户的好评，欢迎广大客户来图，来样、来电，订购产品。预祝所有客户、蒸蒸日上、日日上升！

我们将致力于世界的电力发展而努力奋斗！

Pingxiang Risheng Electric Porcelain Co., Ltd. is located in Shangbu Industrial Park, Pingxiang City, Jiangxi Province. It covers an area of 80,000 square meters, has more than 500 employees, more than 50 senior and intermediate technical personnel, and has total assets of more than 30 million yuan.

Risheng Company specializes in the production of porcelain bushing for power transformers below 40kV, and export-oriented DIN, BS, ANSI, and AS standard transformer bushings. The main products are long rod type porcelain insulator below 72 kV, high and low voltage line various type porcelain insulator, Fuse cut-out porcelain insulator, Disconnect switch porcelain insulator and other products. There are more than 300 kinds of products, complete varieties, and can be designed and produced according to customer drawings or samples. Products are in accordance with international IEC (International Electrotechnical Commission), DIN (German standard), BS (British standard), AS (Australian standard), ANSI (American Standard), GB (National Standard) and other international standards production. The products sell well all over the world, and have been OEM for internationally renowned manufacturers, such as Barberi, Comem, Cedaspe (Made in Italy), ABB (Made in Turkey), etc. Over the years, we have received high praise from customers in the United States, Thailand, Singapore, Vietnam, Cambodia, Sri Lanka, Australia, Nigeria, Indonesia, Kenya, Brazil, South Africa and other countries and regions. Customers are welcome to send pictures, samples, calls, and order products. I wish all customers prosperous and rising day by day!

We will devote ourselves to the world's electric power development and work hard!

RISHENG RISHENG RISHENG RISHENG RISHENG RISHENG RISHENG RISHENG RISHENG RISHENG RISHENG RISHENG

ADD: The estuary of shangbu town, luxt county, Pingxiang city,
jiangxi province, china. TEL: 13707996031

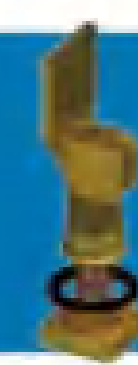
E-mail:pxrsdc@163.com
Http://www.pxrsdc.com

TEL: 0799-7618678
FAX: 0799-7618679

2 - 传递连接套管

2 - Pass connections for insulators

DIN

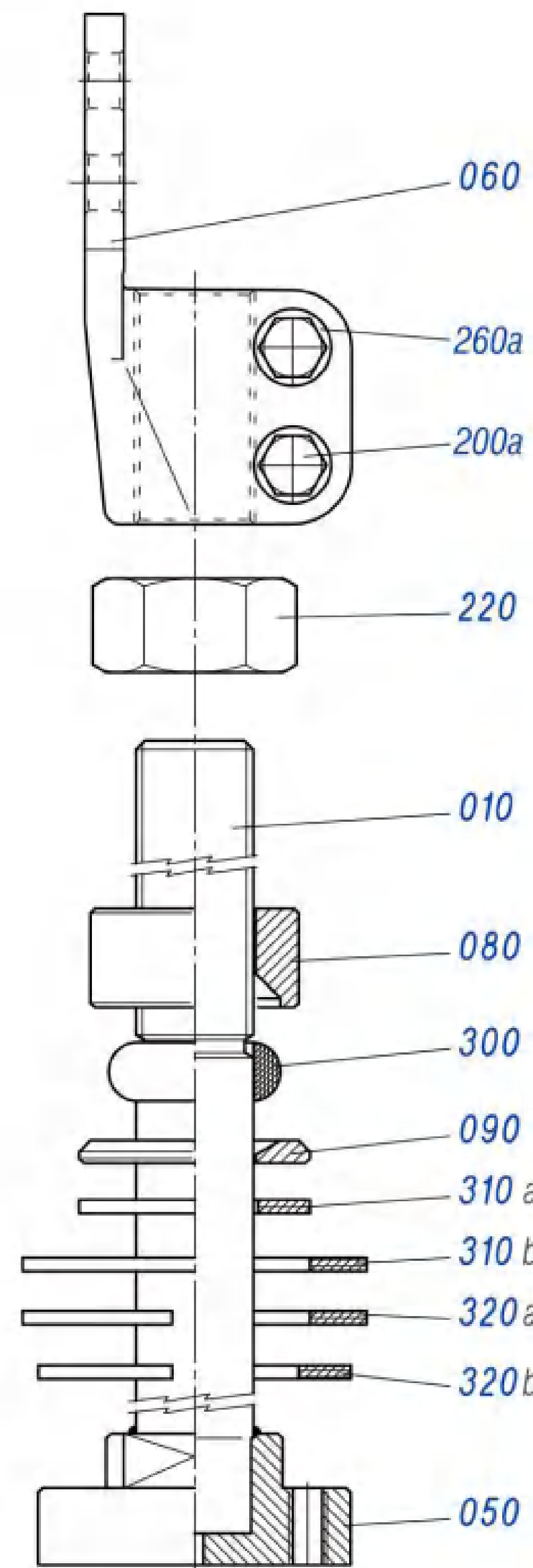


Art. D03.D

DIN42530变压器传递连接套管
公称电压 1kV-1000 ÷ 3150A

Pass connections for insulators of DIN 42530 transformers
Nominal Voltage until 1 kV - 1000 ÷ 3150 A

编码 / CODE.	D0303000D	D0304200D	D0304800D
等级 / CLASS	DT - 1/1000	DT - 1/2000	DT - 1/3150



编号 Pos. refer.	数量 Q.ty	描述 Description	编码 / Code		
			DT - 1/1000	DT - 1/ 2000	DT - 1/3150
010	1	连接螺栓 Connecting bolt	D03030001	D03042001	D03048001
050	1	螺母环 Ring nut	A03030002	A03042002	A03048002
060	1	连接联板 Connecting flag	D03030007	D03042007	D03048007
080	1	垫片90° Washer 90°	D01030S03	D01042S03	D01048S03
090	1	垫片120° Washer 120°	A01030S04	A01042S04	A01048S04
200a	2	六角头螺丝 Hexagon head cap screw	D03030013X	D03042013X	D03048013X
220	1	螺母 Nut	A01030005	A01042005	A01048005
260a	2	平垫片 Flat washer	A05012018X	D03042014X	D03042014X
300	1	半圆垫圈 Half-round gasket	A01030008	A01042008	A01048008
310 a	1	平垫圈 Flat gasket	D01030009	D01042009	D01048009
310 b	1	平垫圈 Flat gasket	D01030010	D01042010	D01048010
320 a	1	切割垫圈 Cutted gasket	A01030011	A01042011	A01048011
320 b	1	切割垫圈 Cutted gasket	A01020011	A01042012	A01048012

编号: 附件部分详情
Pos. refer.: Details in the components sections

备注 / Note:

装配关联:

- 060+260a+200a = 410

Assembling Reference:

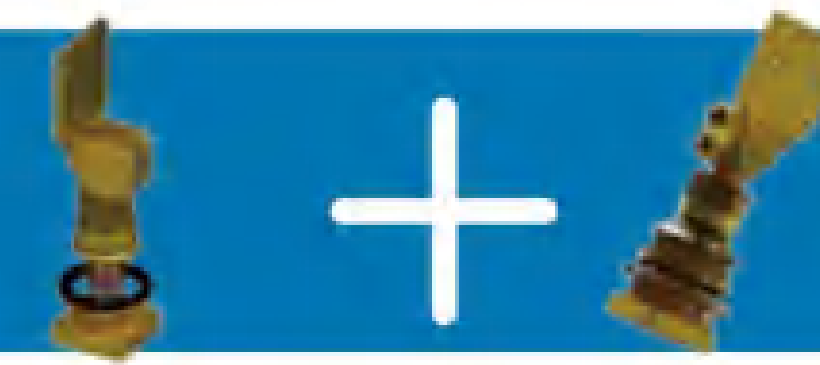
- 060+260a+200a = 410

装配关联:

- 050+010 = 400

Assembling Reference:

- 050+010 = 400



DIN

2 - 成套套管

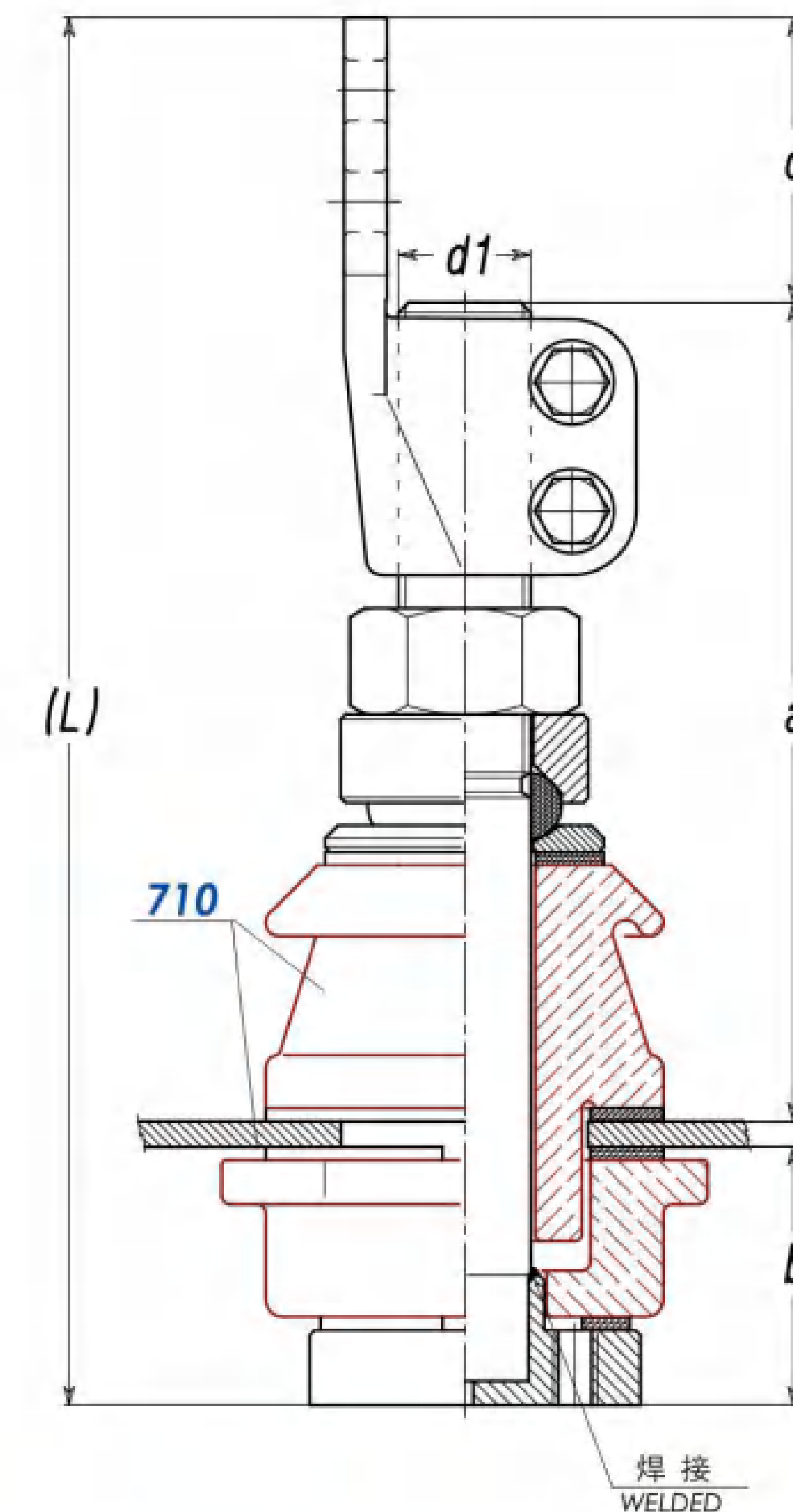
2 - Complete bushings with insulators

Art. D88.D

DIN42530成套套管
公称电压 1kV-1000 ÷ 3150A

Complete bushings with insulators for transformers DIN 42530
Nominal Voltage until 1 kV - 1000 ÷ 3150 A

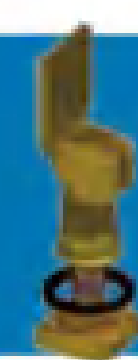
编码 / CODE.	D8803000D	D8804200D	D8804800D
等级 / CLASS	DT - 1/1000	DT - 1/2000	DT - 1/3150
710*	A50030000	A50042000	A50048000
d1	M30x2	M42x3	M48x3
a	203	240	252
b	60	65	70
c	60	100	120
(L)	323	405	442
重量 (克) / Weight (gr.)	4800	11000	15500



2 - 传递连接套管

2 - Pass connections for insulators

DIN



+

DIN

2 - 成套套管

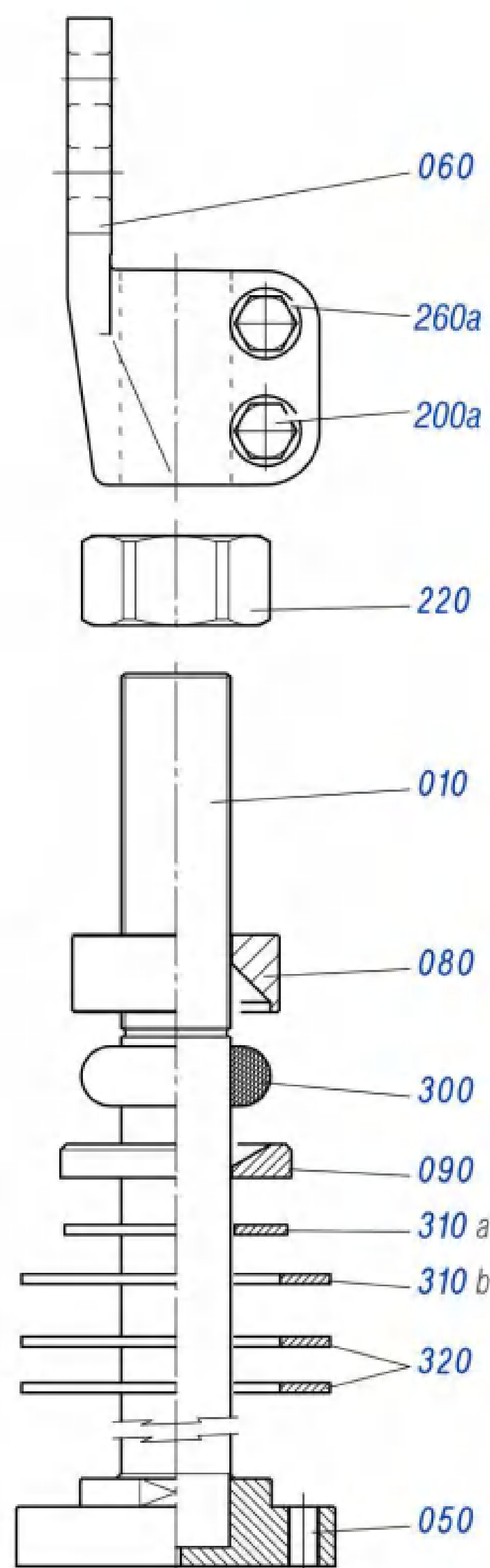
2 - Complete bushings with insulators

Art. D13.D - 4500 A

变压器传递连接套管
公称电压 3.6kV-4500A

Pass connections for insulators of transformers
Nominal Voltage until 3.6 kV - 4500 A

编码 / CODE. D1305500D
等级 / CLASS DT - 3/4500



编号 Pos. refer.	数量 Q.ty	描述 Description	编码 / Code DT - 3/4500
010	1	连接螺栓 Connecting bolt	D13055001
050	1	螺母环 Ring nut	A03055002
060	1	联板 Connecting flag	D03055007
080	1	垫片90° Washer 90°	D01055S03
090	1	垫片120° Washer 120°	A01055S04
200a	2	六角头螺丝 Hexagon head cap screw	D03048013X
220	1	螺母 Nut	A01055005
260a	2	平垫片 Flat washer	D03042014X
300	1	半圆垫圈 Half-round gasket	A01055008
310 a	1	平垫圈 Flat gasket	D01055009
310 b	1	平垫圈 Flat gasket	D01055010
320	2	切割垫圈 Cutted gasket	A01055011

编号: 附件部分详情
Pos. refer.: Details in the components sections

备注/Note:

装配关联:
• 060+260a+200a = 410
Assembling Reference:
• 060+260a+200a = 410

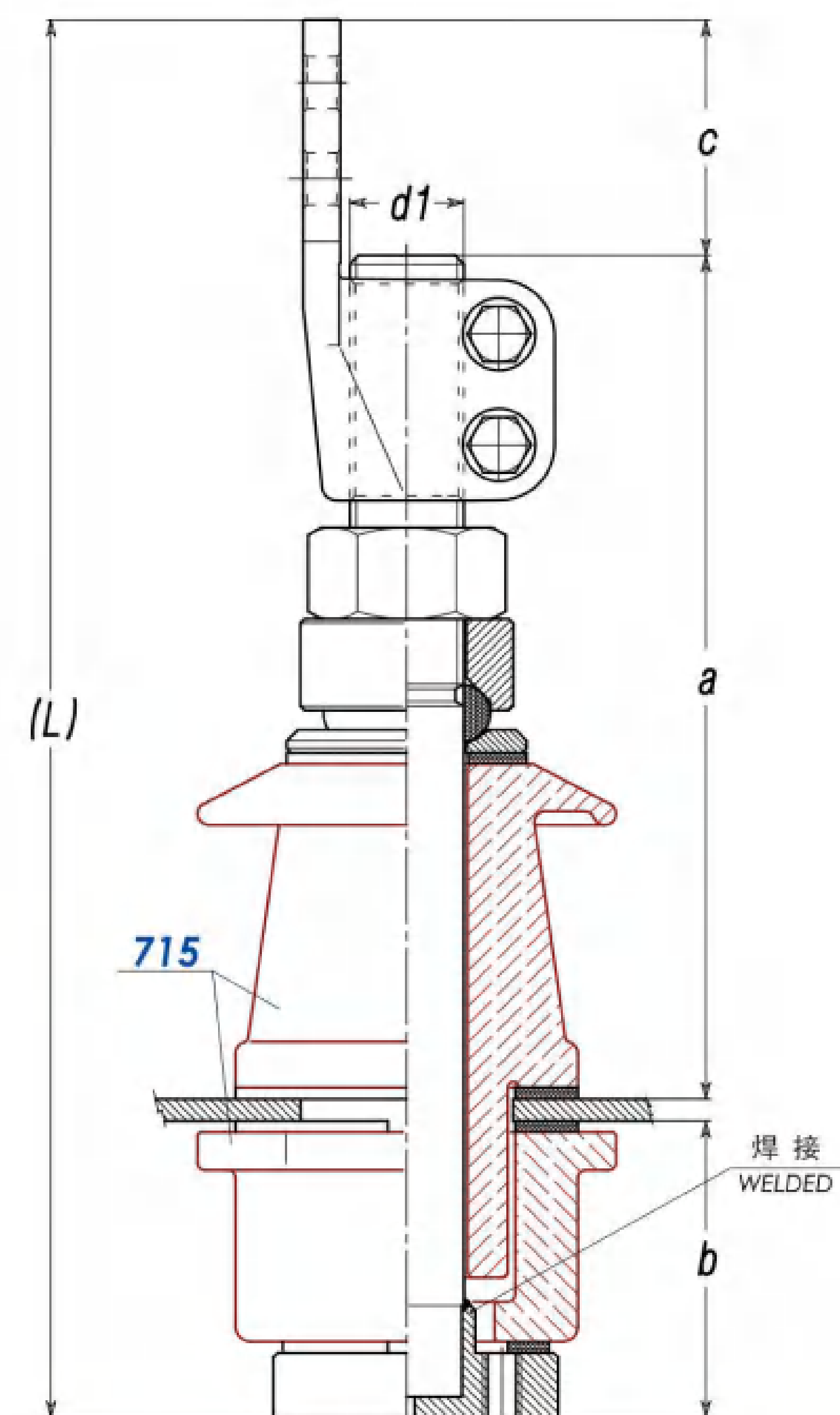
装配关联:
• 050+010 = 400
Assembling Reference:
• 050+010 = 400

编码 / CODE. D9105500D
等级 / CLASS DT - 3/4500

715* A55055000

d1 M55x3
a 334
b 111
c 150
(L) 595

重量 (克)/Weight (gr.) 32110



焊接
WELDED

b

a

c

(L)

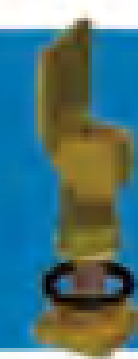
715

d1

2 - 传递连接套管

2 - Pass connections for insulators

DIN



+

DIN



2 - 成套套管

2 - Complete bushings with insulators

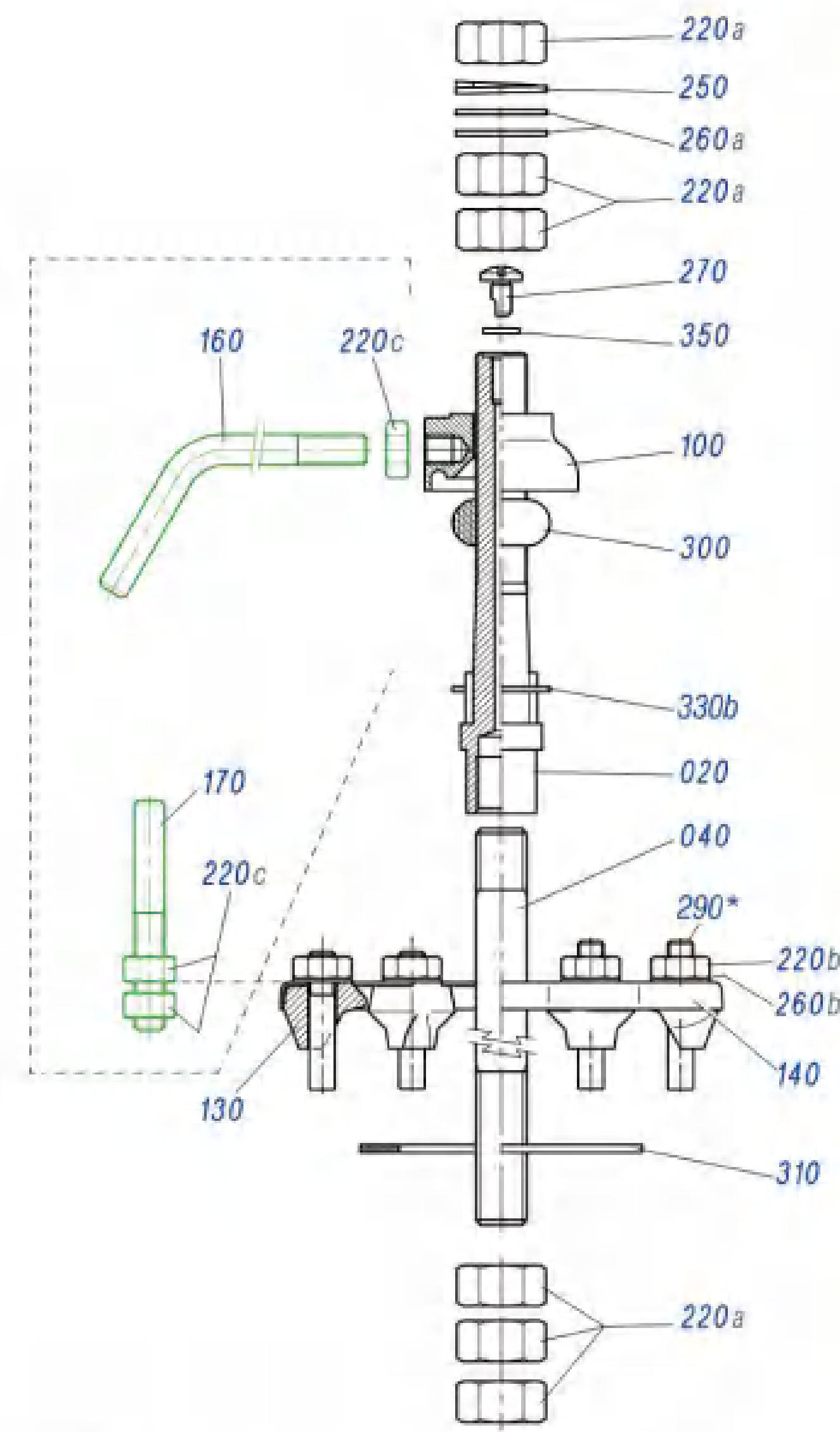
Art. U06.D

DIN42532 变压器传递连接套管
公称电压 10到30kV 公称电流630A

Pass connections for insulators of DIN 42532 transformers
Nominal Voltage of 10 to 30 kV system nominal current 630 A

编码 / CODE.	U06010000D	U06020000D	U06030000D
等级 / CLASS	10 kV - 630 A	20 kV - 630 A	30 kV - 630 A

编号	数量	描述	10 kV 630A	20 kV 630A	30 kV 630A
Pos. refer.	Q.ty	Description			
020	1	卡头螺栓 Clamping threaded bolt	U06020001	U06020001	U06020001
040	1	下穿螺栓 Lower threaded bolt	U06010002	U06020002	U06030002
100	1	帽 Cap	U06020003	U06020003	U06020003
130	6	卡扣 Jam	A04012009	A04012009	A04012009
140	1	法兰 Fixing ring	U06020005	U06020005	U06020005
220 a	6	螺母 Nut	A01020005	A01020005	A01020005
220 b	6	螺母 Nut	A04012011	A04012011	A04012011
250	1	弹性垫片 Elastic washer	U06020014	U06020014	U06020014
260 a	2	平垫片 Flat washer	U06020013	U06020013	U06020013
260 b	6	平垫片 Flat washer	A04012018	A04012018	A04012018
270	1	排气螺丝 Exhaust screw	U06020020	U06020020	U06020020
300	1	半圆垫圈 Half-round gasket	U06020015	U06020015	U06020015
310	1	平垫圈 Flat gasket	D01048010	D01048010	D01048010
330b	1	异形垫圈 Shaped gasket	U06020016	U06020016	U06020016
350	1	PTFE垫圈 PTFE gasket	U06020024	U06020024	U06020024
160	1	上杆 Upper stem	U06020Z08	U06020Z08	U06020Z08
170	1	下杆 Lower stem	U06010Z07	U06020Z07	U06020Z07
220 c	3	螺母 Nut	U07030011	U07030011	U07030011
▶ 290*	6	大头螺栓 Stud bolt	A04012010	A04012010	A04012010



需求: 可以不使用附件
N° 160 - 170 - 220C

On request: It can be possible to avoid the components
N° 160 - 170 - 220C

▶ 需求 / on request

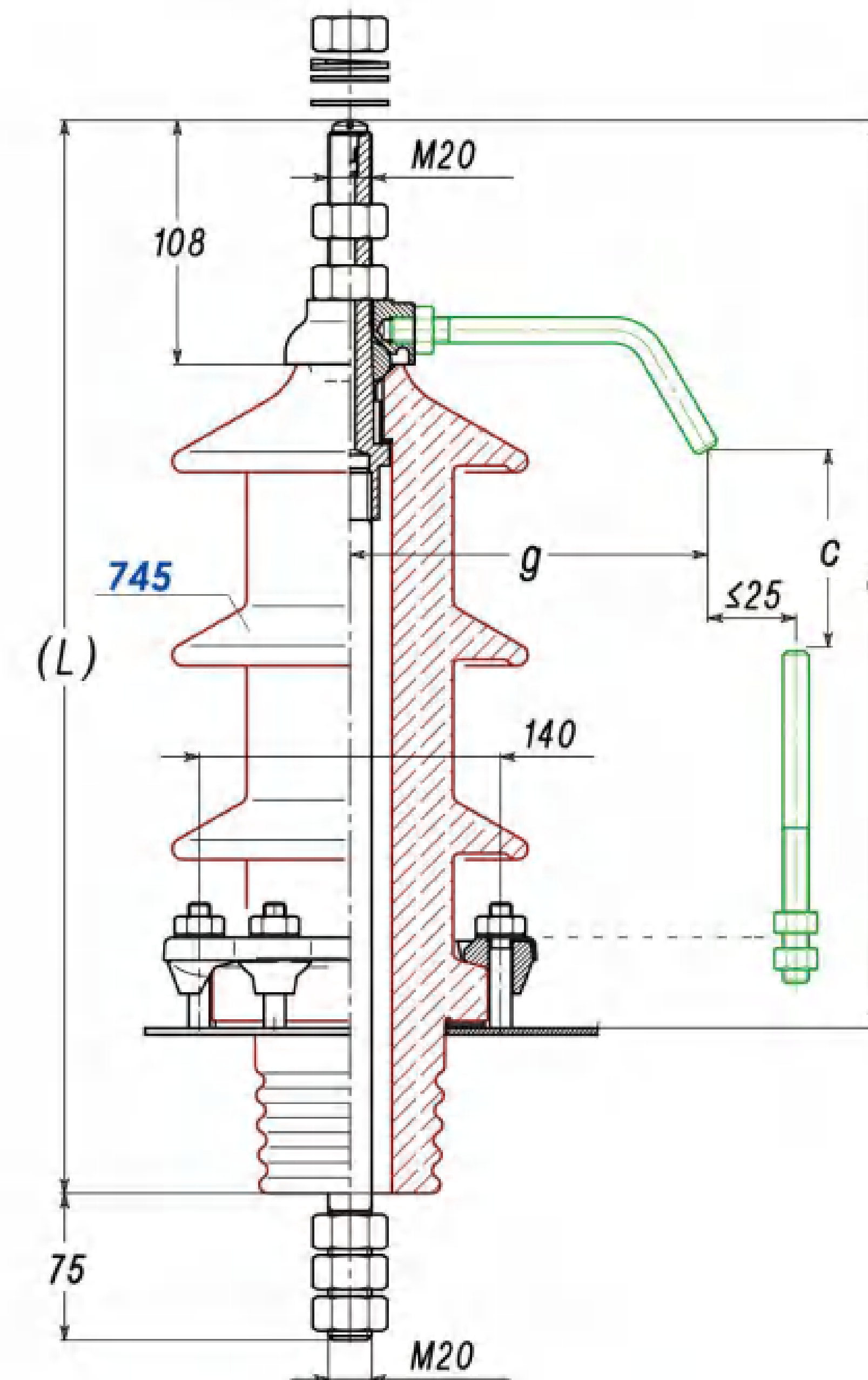
编号: 附件部分详情
Pos. refer.: Details in the components sections

Art. U94.D

DIN42532 变压器成套套管
公称电压 10到30kV 公称电流630A

Complete bushings with insulators for transformers DIN 42532
Nominal Voltage of 10 to 30 kV system - Nominal current 630 A

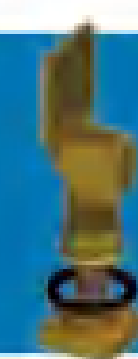
编码 / CODE.	U94010000D	U94020000D	U94030000D
等级 / CLASS	10 kV - 630 A	20 kV - 630 A	30 kV - 630 A
745*	A60010000	A60020000	A60030000
a	342	417	522
c	70	100	200
g	180	180	200
(L)	403	493	618
重量 (克) / Weight (gr.)	7170	9850	14600



2 - 传递连接套管

2 - Pass connections for insulators

DIN



DIN

2 - 成套套管

2 - Complete bushings with insulators

Art. D18.D

变压器传递连接套管
公称电压 12到36kV 公称电流5000A

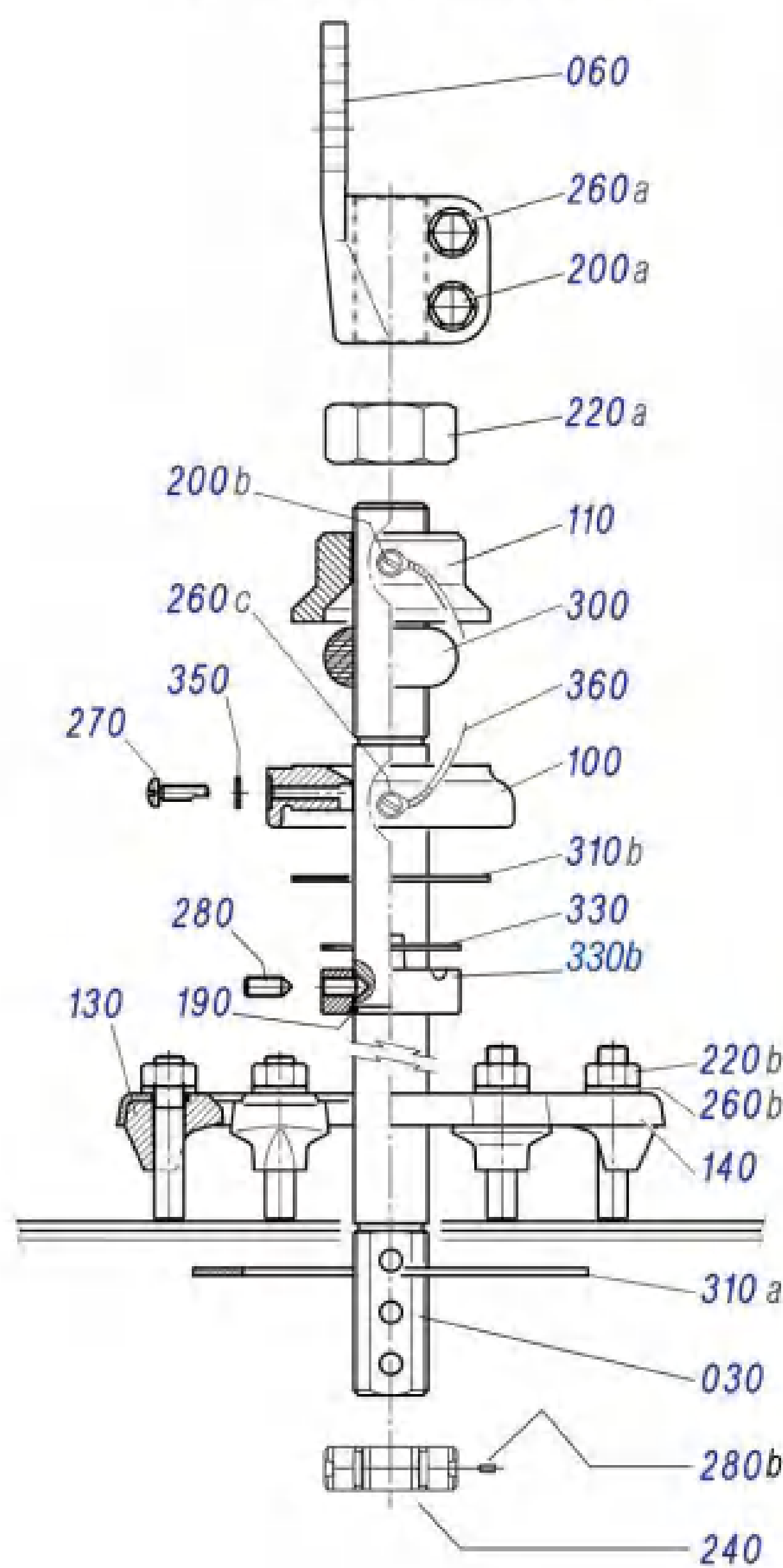
Pass connections for insulators of transformers
Nominal voltage of 12 to 36 kV system nominal current 5000 A

编码 / CODE.	D1801000D	D1802000D	D1803000D
等级 / CLASS	10 kV - 5000 A	20 kV - 5000 A	30 kV - 5000 A

备注/Note:

装配关联:

- $060 + 260a + 200a = 410$
Assembling Reference:
- $060 + 260a + 200a = 410$



编号	数量	描述	10 kV 5000A	20 kV 5000A	30 kV 5000A
Pos. refer.	Q.ty	Description	10 kV 5000A	20 kV 5000A	30 kV 5000A
030	1	连接螺栓 Connecting bolt	D18010001	D18020001	D18030001
060	1	联板 Connecting flag	D03058007	D03058007	D03058007
100	1	帽 Cap	D17058003	D17058003	D17058003
110	1	盘 Disc	D17058002	D17058002	D17058002
120	1	压紧环 Pressure ring	D17058004	D17058004	D17058004
130	6	卡扣 Jam	U07030009	U07030009	U07030009
140	1	法兰 Fixing ring	U08042020	U08042020	U08042020
190	1	停环 Stop ring	D17058023	D17058023	D17058023
200 a	2	六角螺丝 Hexagon head cap screw	D03048013X	D03048013X	D03048013X
200 b	2	六角螺丝 Hexagon head cap screw	D17055011X	D17055011X	D17055011X
220 a	6	螺母 Nut	U07030011	U07030011	U07030011
220 b	1	螺母 Nut	A01058005	A01058005	A01058005
240	1	中环 Centering ring	CEN074059	CEN074059	CEN074059
260 a	2	平垫片 Flat washer	D03042014X	D03042014X	D03042014X
260 b	6	平垫片 Flat washer	A02030014	A02030014	A02030014
260 c	2	平垫片 Flat washer	D17055007X	D17055007X	D17055007X
270	1	排气螺丝 Exhaust screw	U07030025	U07030025	U07030025
280	2	平头螺丝 Grub screw	D17055012	D17055012	D17055012
280b	1	平头螺丝 Grub screw	GRA004010	GRA004010	GRA004010
300	1	半圆垫圈 Half-round gasket	A01058008	A01058008	A01058008
310 a	1	平垫圈 Flat gasket	U08042017	U08042017	U08042017
310 b	1	平垫圈 Flat gasket	D17055015	D17055015	D17055015
330b	1	异形垫圈 Shaped gasket	D17055016	D17055016	D17055016
350	1	PTFE垫圈 PTFE gasket	U07030029	U07030029	U07030029
360	1	铜线 Copper wire	D17055005	D17055005	D17055005

编号: 附件部份详情
Pos. refer.: Details in the components sections

Art. D93.D

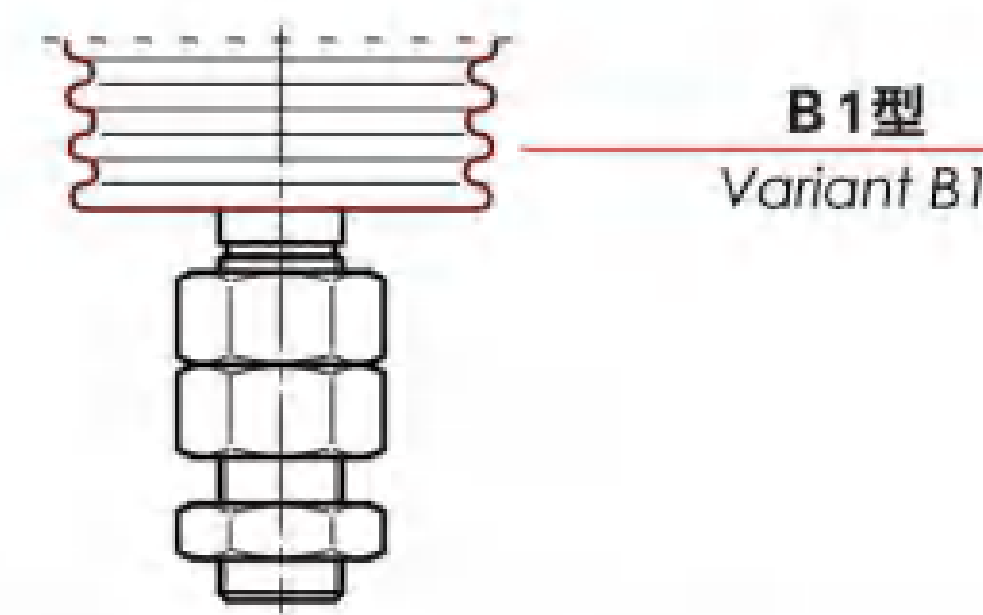
变压器成套套管
公称电压 12到36kV 公称电流5000A

Complete bushings with insulators for transformers
Nominal Voltage of 12 to 36 kV system - Nominal current 5000 A

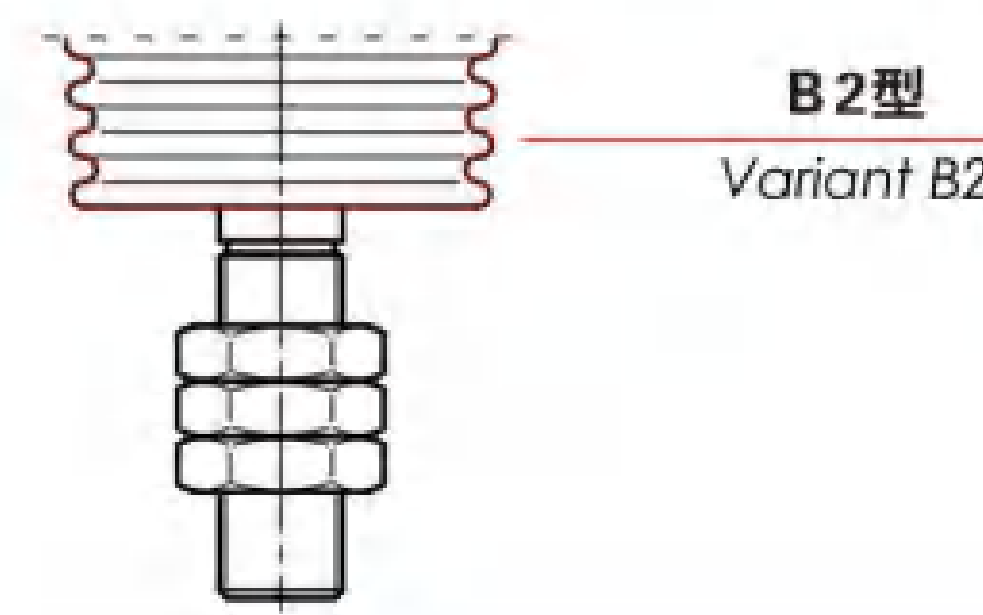
编码 / CODE.	D9201000D	D9202000D	D9203000D
等级 / CLASS	10 kV - 5000 A	20 kV - 5000 A	30 kV - 5000 A
775*	A66010000	A66020000	A66030000

a	474	534	654
b	210	220	230
d1	M55x3	M55x3	M55x3
(L)	669	754	884
重量(克)/Weight (gr.)	35000	40200	46000

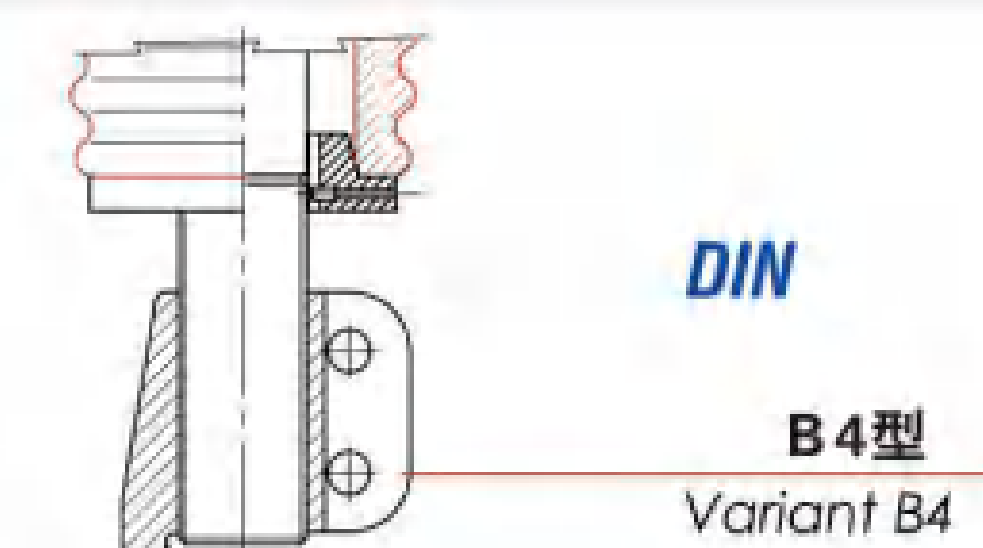
需求: 下部连接
On request: With lower connection



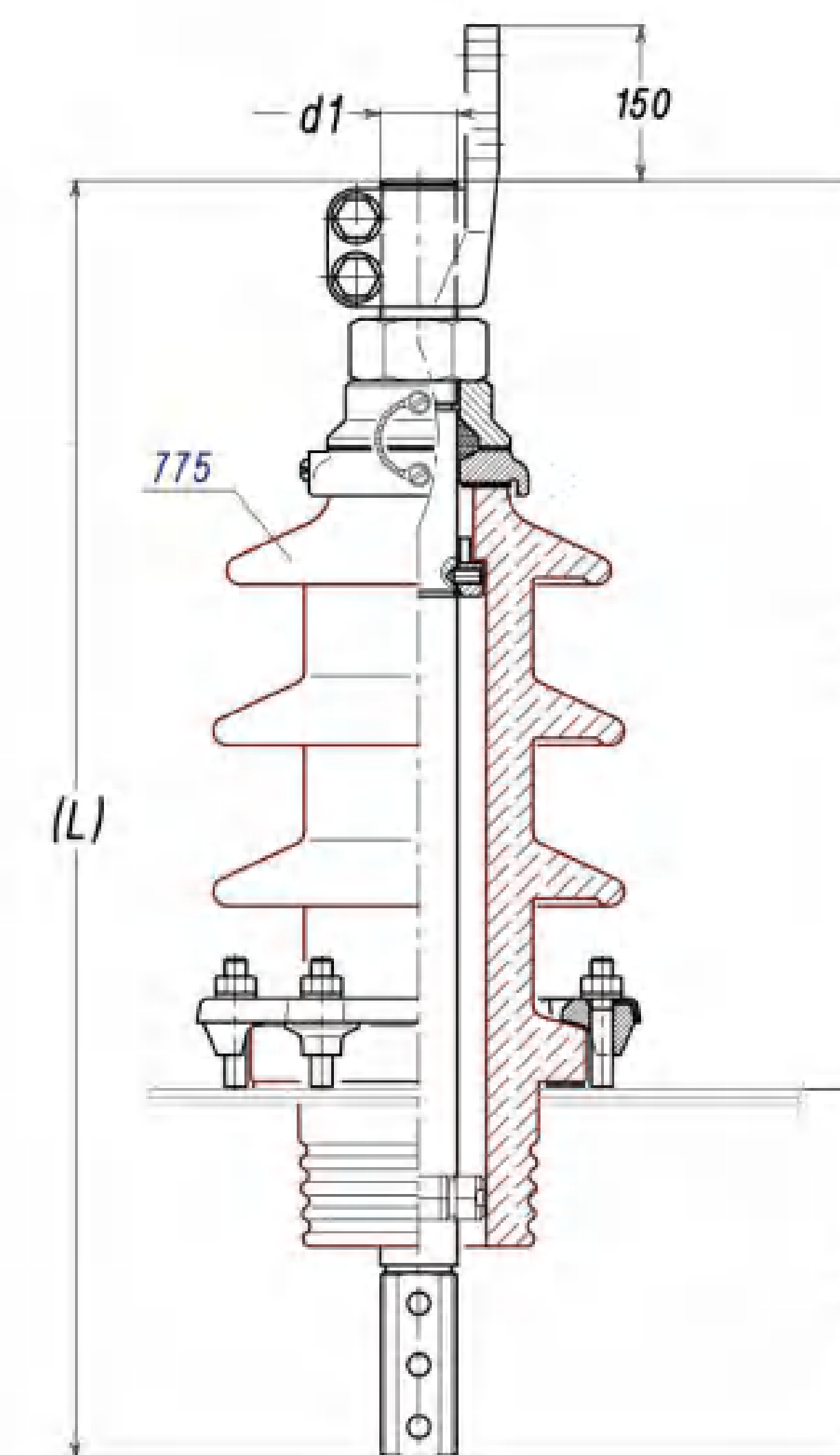
B1型
Variant B1



B2型
Variant B2



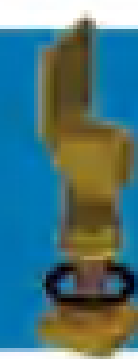
DIN
B4型
Variant B4



2 - 传递连接套管

2 - Pass connections for insulators

DIN



Art. D15 1000A-2000A-3150A

DIN42534变压器传递连接套管

公称电压 52kV 公称电流 1000-2000-3150A

Pass connections for insulators of DIN 42534 transformers

Nominal Voltage until 52 KV - Nominal current 1000 - 2000 - 3150 A

编码 / CODE.	D1503000	D1504200	D1504800
等级 / CLASS	52 kV/1000 A	52 kV/2000 A	52 kV/3150 A

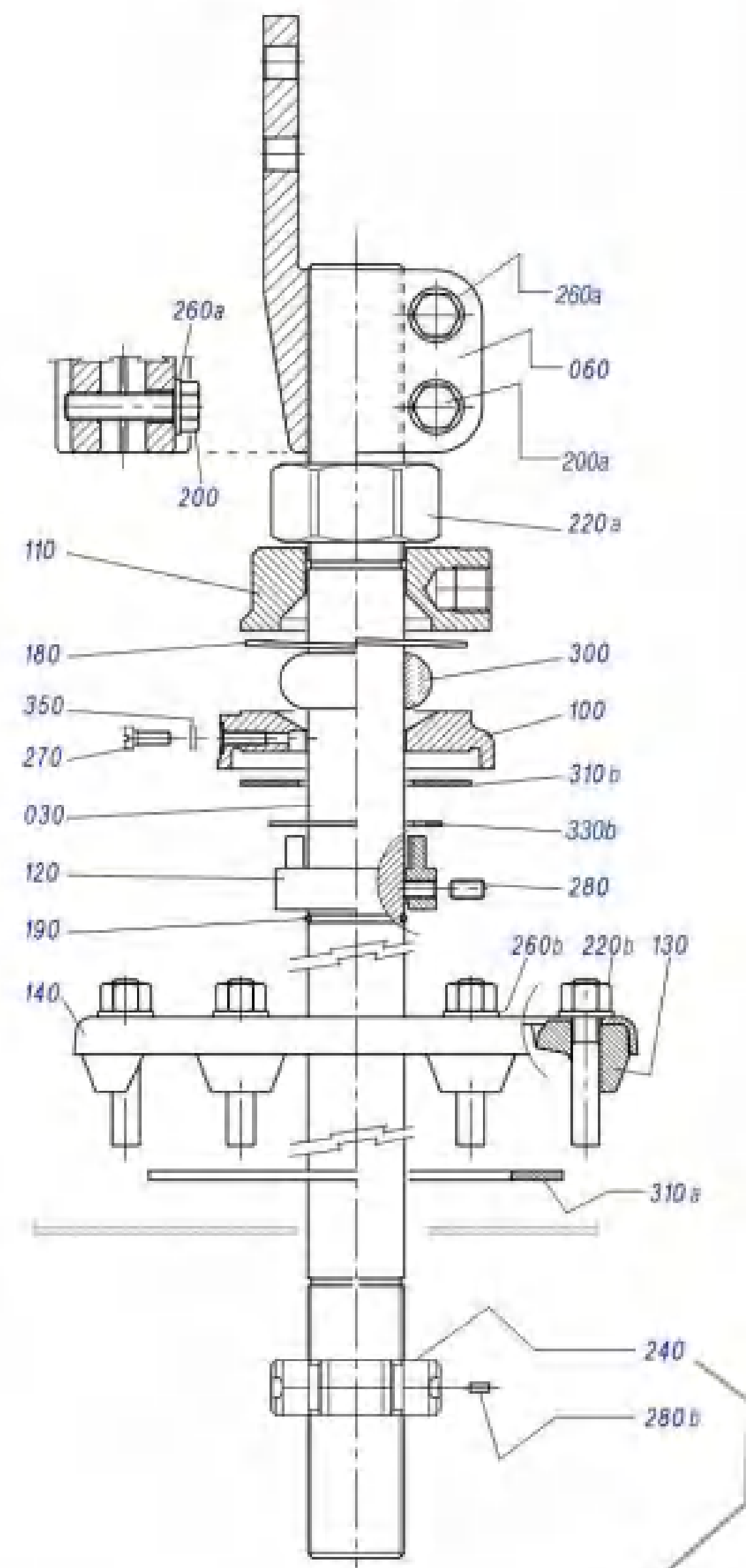
备注/Note:

装配关联:

• 060+260a+200a = 410

Assembling Reference:

• 060+260a+200a = 410



编号 Pos.ref.	数量 Q.ty	描述 Description	编码 / Code		
			52-1000	52-2000	52-3150
030	1	连接螺栓 Connecting bolt	D15030001	D15042001	D15048001
060	1	联板 Connecting flag	D03030007	D03042007	D03048007
100	1	帽 Cap	D07030003	U08042003	U09048003
110	1	盘 Disc	U07030002	U08042002	U09048002
120	1	压紧环 Pressure ring	D15030004	U08042004	U09048004
130	6	卡扣 Jam	U07030009	U07030009	U07030009
140	1	法兰 Fixing ring	U08042020	U08042020	U08042020
180	1	断环 Snap ring	U07030021	U08042021	U09048021
190	1	撑环 Stop ring	U07030023	U08042023	U09048023
200a	2	六角头螺丝 Hexagon head cap screw	D03030013X	D03042013X	D03048013X
220 a	1	螺母 Nut	A01030005	A01042005	A01048005
220 b	6	螺母 Nut	U07030011	U07030011	U07030011
240	1	中环 Centering ring	CEN074031	CEN074043	CEN074049
260 a	2	平垫片 Flat washer	A05012018X	D03042014X	D03042014X
260 b	6	平垫片 Flat washer	A02030014	A02030014	A02030014
270	1	排气螺丝 Exhaust screw	U07030025	U07030025	U07030025
280	1	平头螺丝 Grub screw	GRA004010	GRA004010	GRA004010
300	1	半圆垫圈 Half-round gasket	U07030015	U08042015	U09048015
310 a	1	平垫圈 Flat gasket	U08042017	U08042017	U08042017
310 b	1	平垫圈 Flat gasket	U07030018	U08042018	U08042018
350	1	PTFE垫圈 PTFE gasket	U07030029	U07030029	U07030029
330b	1	异形垫圈 Shaped gasket	U07030016	U08042016	U08042016
280 b	1	平头螺丝 Grub screw	D17055010	D17055010	D17055010

Nota: il componente 240 non è contemplato nella normativa DIN ma è un componente migliorativo dal punto di vista strutturale

Note: the 240 pos. refer. component is not a DIN standard but it is a solution to improve structural strength

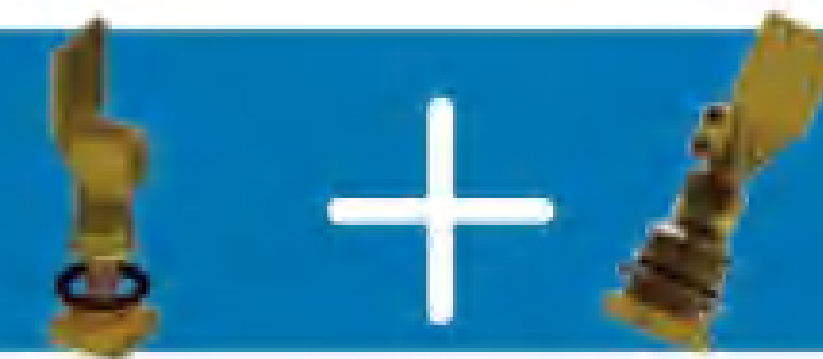
编号: 附件部份详情

Pos. refer.: Details in the components sections

2 - 成套套管

2 - Complete bushings with insulators

DIN



Art. D99 1000A-2000A-3150A

DIN42534变压器成套套管

公称电压 52kV 公称电流 1000-2000-3150A

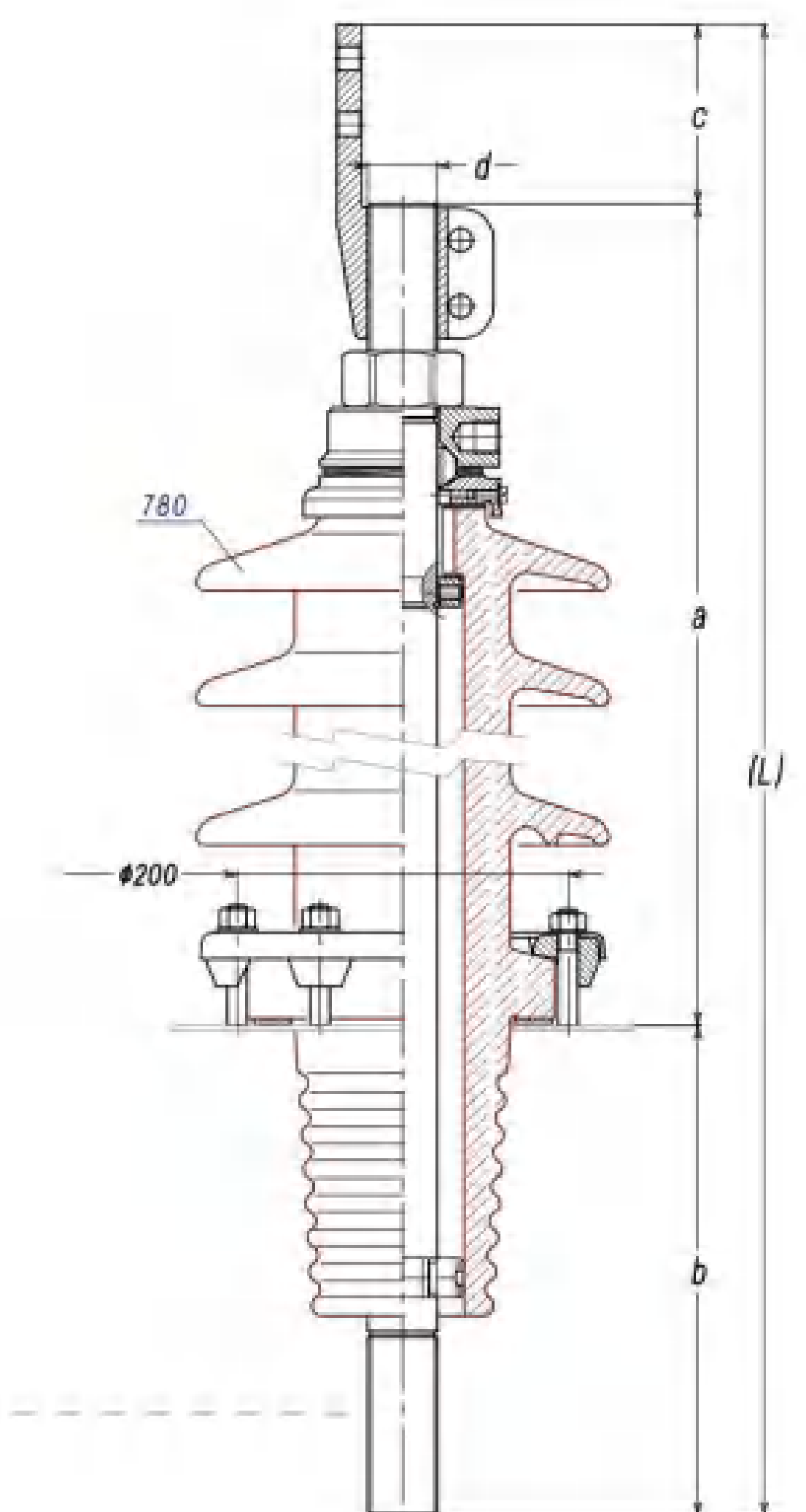
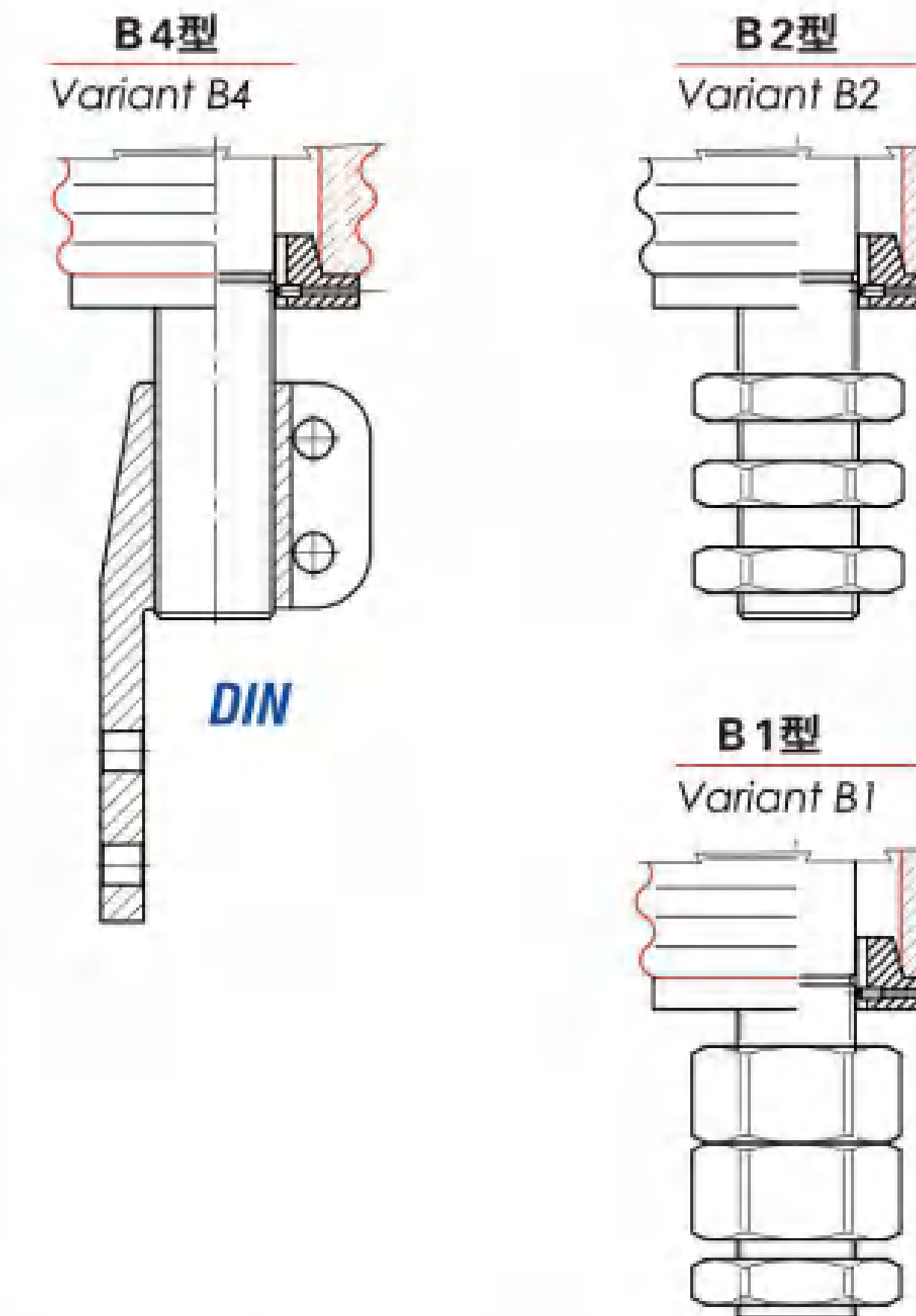
Complete bushings with insulators for transformers DIN 42534

Nominal Voltage until 52 KV - Nominal current 1000 - 2000 - 3150 A

编码 / CODE.	D9903000	D9904200	D9904800
等级 / CLASS	52/1000	52/2000	52/3150
780*	A69048000	A69048000	A69048000

d	M30x2	M42x3	M48x3
a	660	685	690
b	285	295	305
c	60	100	120
(L)	945	988	995
重量 (克)/Weight (gr.)	34200	42400	47700

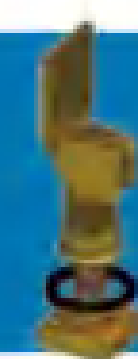
需求: 下部连接
On request: With lower connection



2 - 传递连接套管

2 - Pass connections for insulators

DIN



Art. D15 4500A-5000A

变压器传递连接套管
公称电压 52kV 公称电流 4500-5000A

Pass connections for insulators of transformers
Nominal Voltage until 52 KV - Nominal current 4500-5000 A

编码 / CODE.	D15055000	D15058000
等级 / CLASS	52 kV/4500 A	52 kV/5000 A

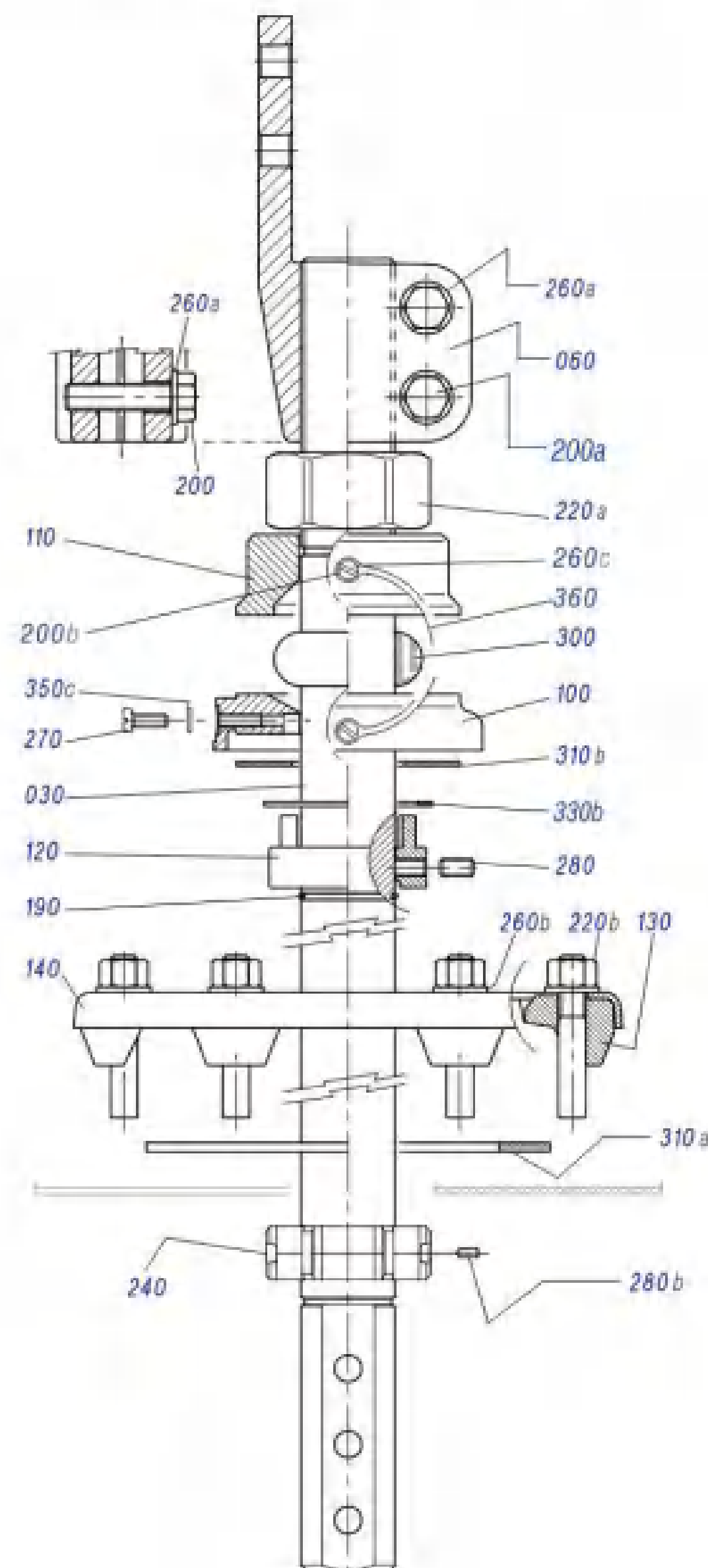
备注/Note:

装配关联:

• 060+260a+200a = 410

Assembling Reference:

• 060+260a+200a = 410



编号 Pos. refer.	数量 Q.ty	描述 Description	编码 / Code	
			52-4500	52-5000
030	1	连接螺栓 Connecting bolt	D15055001	D15058001
060	1	联板 Connecting flag	D03055007	D03058007
100	1	帽 Cap	D17055003	D17058003
110	1	帽 Disc	D17055002	D17058002
120	1	压紧环 Pressure ring	D17055004	D17058004
130	6	卡扣 Jam	U07030009	U07030009
140	1	法兰 Fixing ring	U08042020	U08042020
190	1	停环 Stop ring	D17055023	D17058023
200a	2	六角头螺丝 Hexagon head cap screw	D03048013X	D03048013X
200b	2	六角头螺丝 Hexagon head cap screw	D17055011X	D17055011X
220a	1	螺母 Nut	A01055005	A01058005
220b	6	螺母 Nut	U07030011	U07030011
240	1	中环 Centering ring	CEN074056	CEN074059
260a	2	平垫片 Flat washer	D03042014X	D03042014X
260b	6	平垫片 Flat washer	A02030014	A02030014
260c	2	平垫片 Flat washer	D17055007X	D17055007X
270	1	排气螺丝 Exhaust screw	U07030025	U07030025
280	2	平头螺丝 Grub screw	D17055012	D17055012
280b	2	平头螺丝 Grub screw	GRA004010	GRA004010
300	1	半圆垫圈 Half-round gasket	A01055008	A01058008
310a	1	平垫圈 Flat gasket	U08042017	U08042017
310b	1	平垫圈 Flat gasket	D17055015	D17055015
350	1	PTFE垫圈 PTFE gasket	U07030029	U07030029
330b	1	异形垫圈 Shaped gasket	D17055016	D17055016
360	1	平头螺丝 Copper wire	D17055005	D17055005

编号: 附件部份详情

Pos. refer.: Details in the components sections



+



DIN

2 - Passanti completi di isolatori

2 - Complete bushings with insulators

Art. D99 4500A-5000A

变压器成套套管
公称电压 52kV 公称电流 4500-5000A

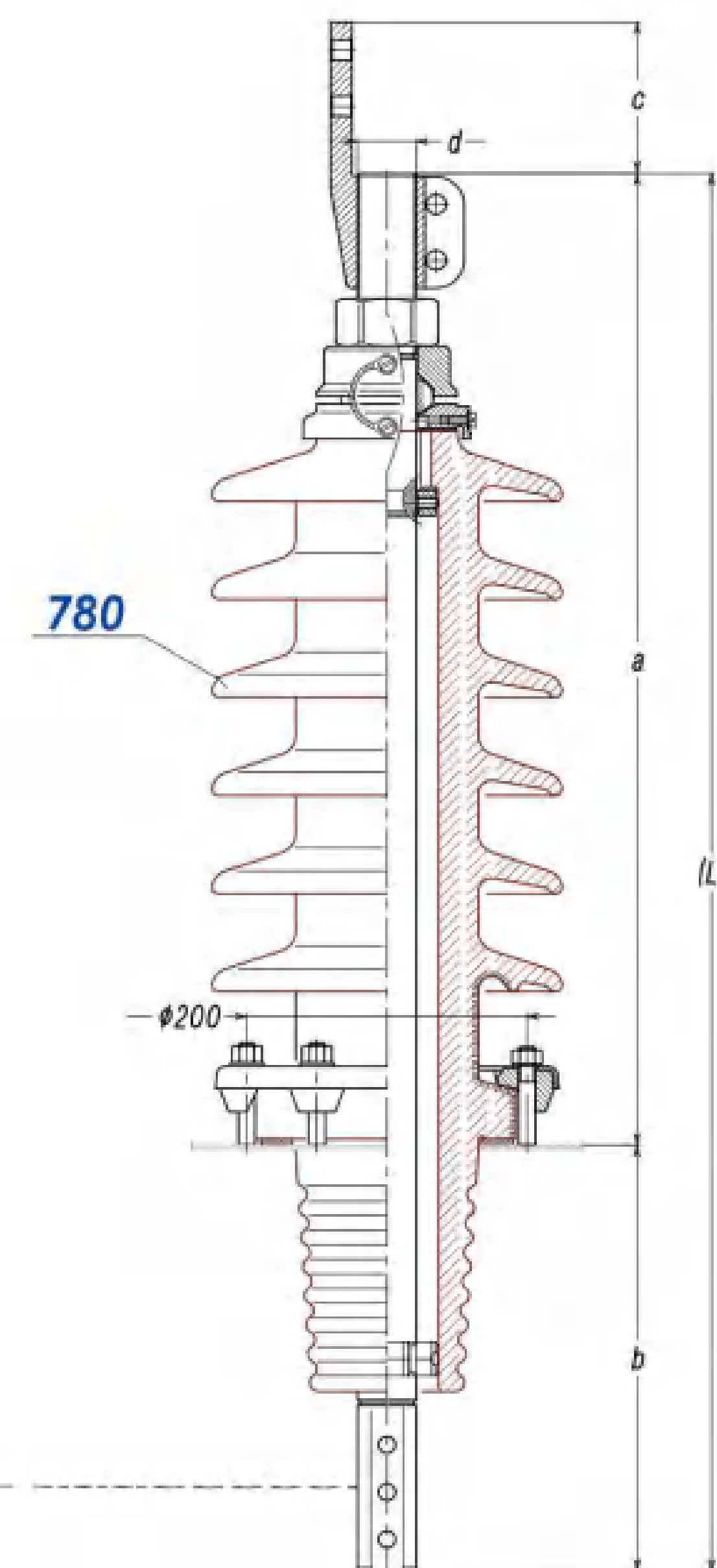
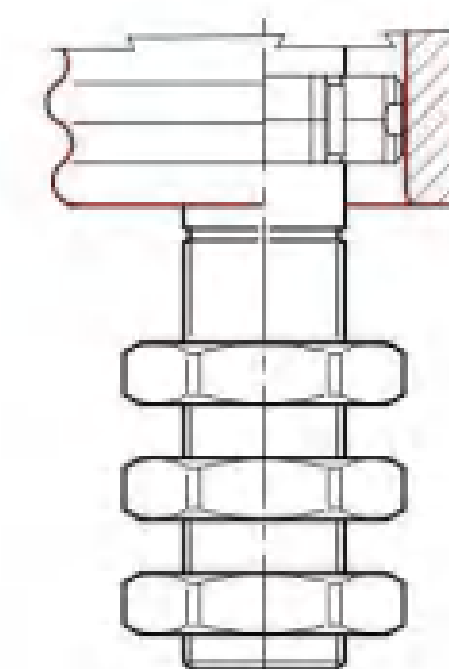
Complete bushings with insulators for transformers
Nominal Voltage until 52 KV - Nominal current 4500-5000 A

编码 / CODE.	D99055000	D99058000
等级 / CLASS	52/4500	52/5000
780*	A69058000	A69058000

d	M55x3	M58x3
a	740	740
b	300	300
c	150	150
(L)	1040	1040
重量 (克)/Weight (gr.)	15200	18560

需求: 下部连接

On request:
With lower connection

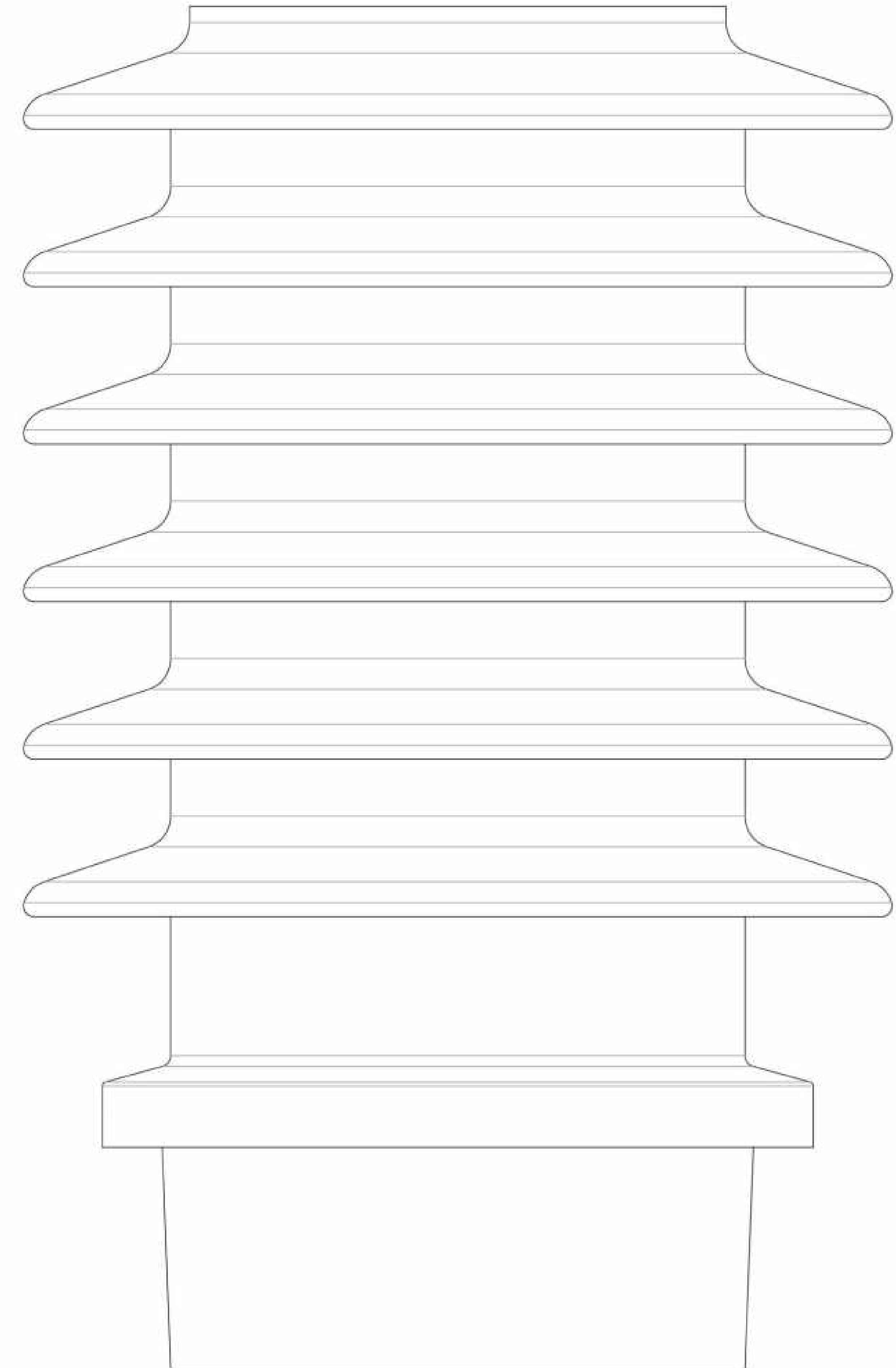
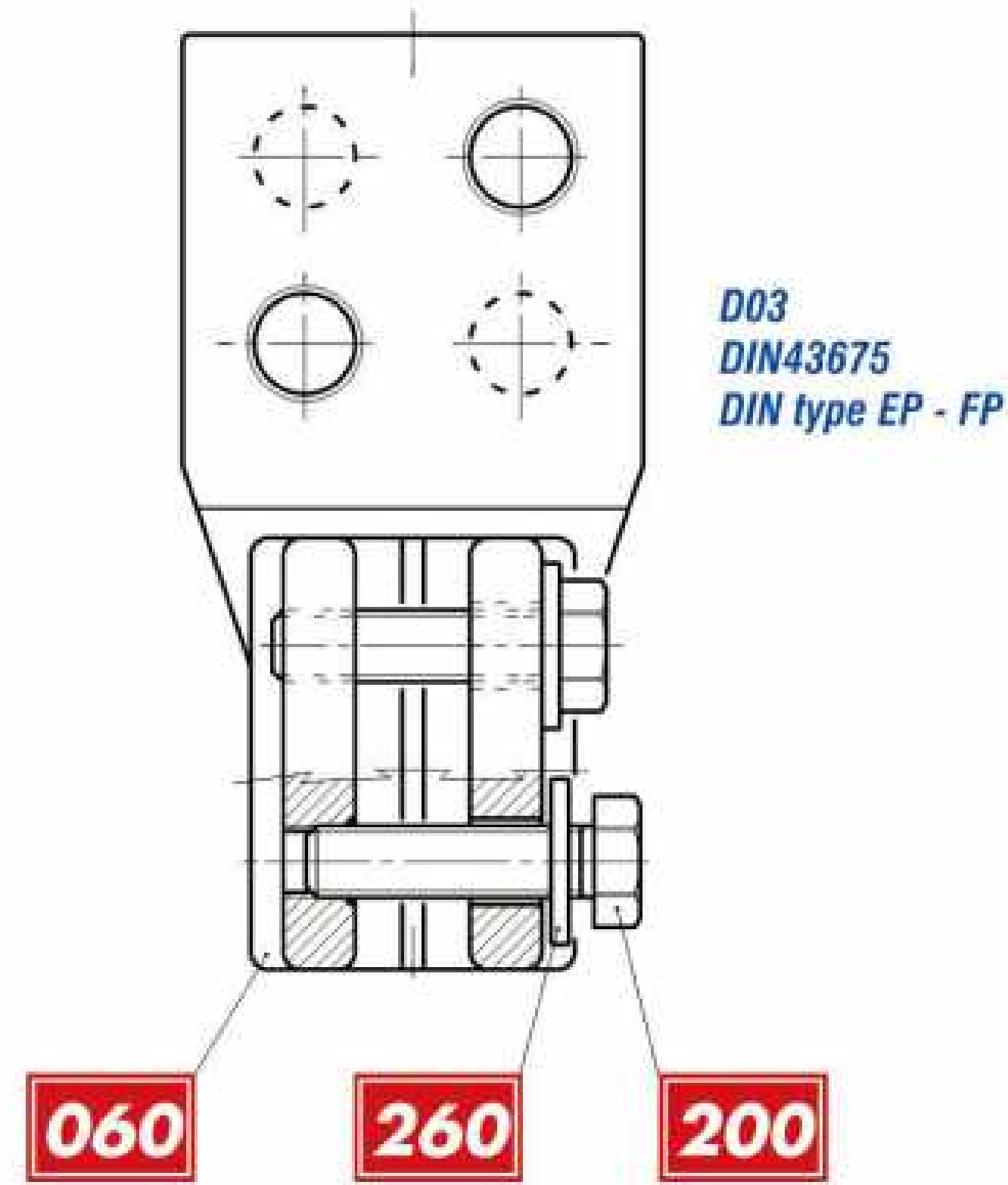
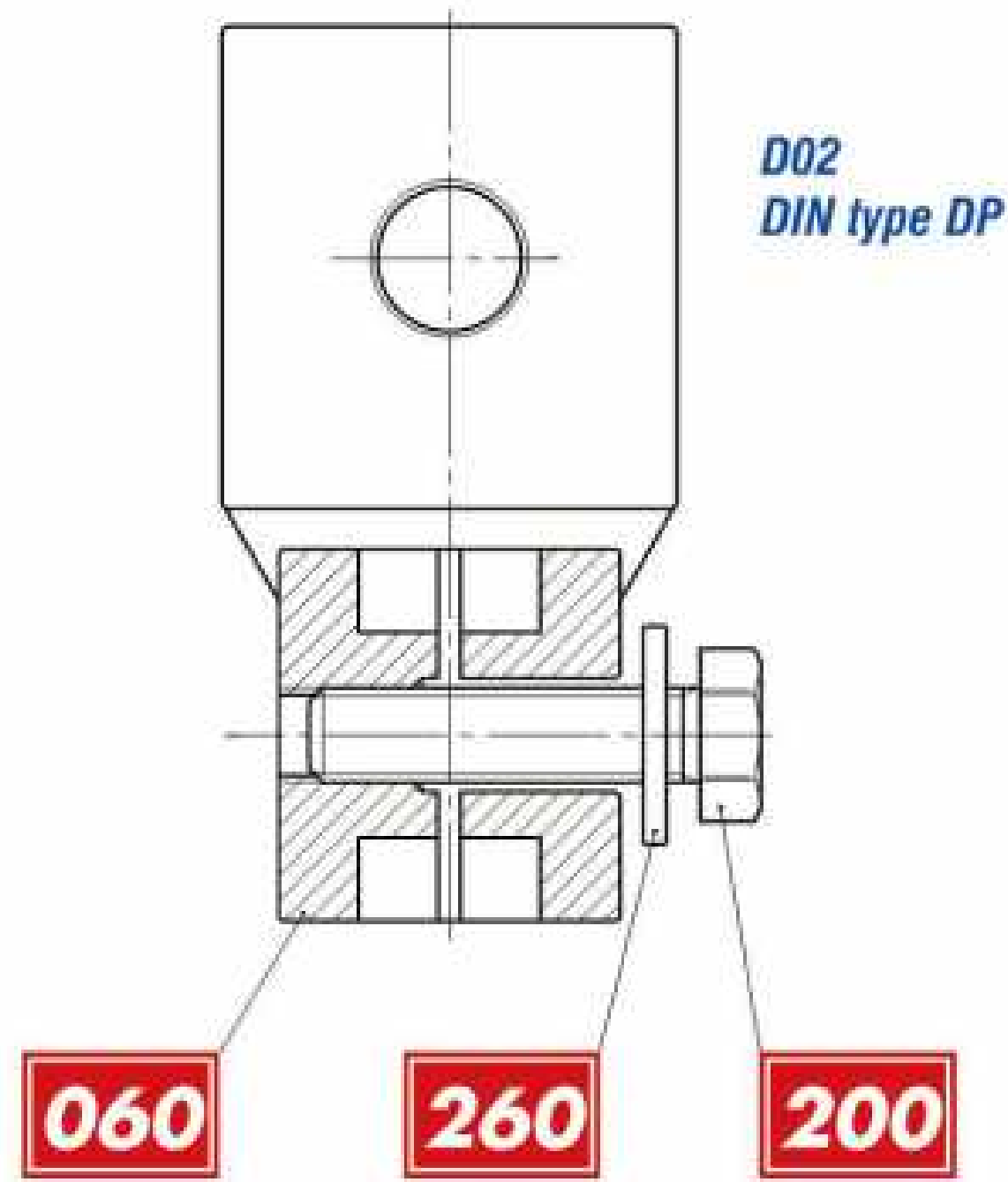




Pos.refer.
410

联板配螺丝和垫片DP-EP-FP
Flag completes with screws and washers DP-EP-FP

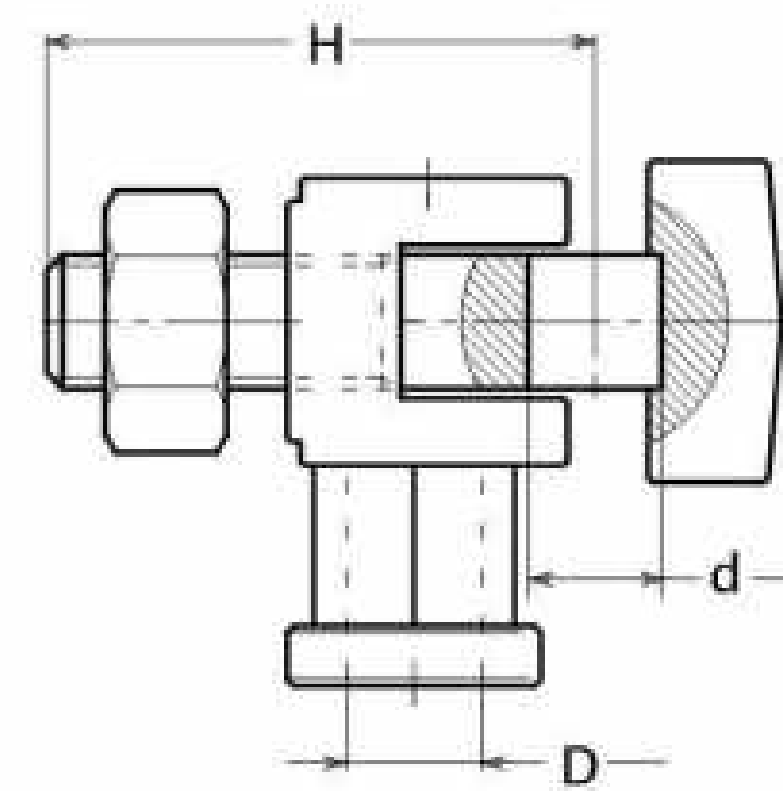
零件编码 Kit Code	等级 Class	编号 / Pos.refer.		
		060	200	260
D02020007AX	630	D02020007	D03030013X	A05012018X
D03030007AX	1000	D03030007	D03030013X	A05012018X
D03042007AX	2000	D03042007	D03042013X	D03042014X
D03048007AX	3150	D03048007	D03048013X	D03042014X
D03055007AX	4500	D03055007	D03048013X	D03042014X
D03058007AX	5000	D03058007	D03048013X	D03042014X



Art. S10

终端连接
Connecting terminal

编码 Code	等级 Class	D	H	d
S10012000	-	M12	41	11



材料 / Material: